
















CU-5123		3.62"	1.50"	1.21"	1.06"	3.30"	1.18"	1.09"	1.00"	1.97"	3.25"	0.06"	9.0
CU-5124		4.37"	2.37"	1.21"	1.06"	4.05"	2.05"	1.09"	1.00"	2.84"	3.99"	0.06"	10.5
CU-5234		4.68"	3.68"	2.21"	2.06"	4.24"	3.24"	2.09"	2.00"	4.15"	4.31"	0.09"	15.0
CU-5247		7.39"	4.70"	2.21"	2.06"	7.08"	4.33"	2.09"	2.00"	5.12"	7.01"	0.09"	26.0
CU-5347		7.39"	4.70"	3.21"	3.06"	7.08"	4.33"	3.09"	3.00"	5.12"	7.02"	0.09"	30.0
CU-5470		2.00"	2.00"	1.25"	1.09"	1.80"	1.80"	1.10"	1.01"	1.62"	2.46"	0.06"	5.0
CU-5471		4.33"	3.25"	1.75"	1.59"	4.06"	3.00"	1.60"	1.51"	3.72"	3.96"	0.09"	14.5
CU-5472		4.75"	3.15"	2.33"	2.17"	4.43"	2.35"	2.18"	2.09"	3.62"	4.38"	0.09"	14.5
CU-5473		4.68"	3.68"	1.34"	1.18"	4.43"	3.43"	1.19"	1.10"	4.15"	4.31"	0.09"	14.5
CU-5474		4.75"	4.75"	2.33"	2.17"	4.43"	4.43"	2.18"	2.09"	5.21"	4.37"	0.09"	19.5
CU-5475		4.75"	4.75"	3.75"	3.59"	4.30"	4.30"	3.60"	3.51"	4.39"	5.22"	0.09"	23.5
CU-5476		6.00"	3.25"	2.00"	1.84"	5.68"	2.93"	1.85"	1.76"	3.72"	5.60"	0.09"	20.0
CU-5477		7.39"	4.70"	1.50"	1.34"	7.14"	4.45"	1.35"	1.16"	4.12"	7.02"	0.09"	20.5
CU-5478		7.50"	7.50"	2.62"	2.46"	7.18"	7.18"	2.47"	2.38"	7.12"	7.97"	0.09"	39.0
CU-5479		4.37"	2.37"	2.13"	1.98"	4.05"	2.05"	1.98"	1.90"	2.39"	3.98"	0.06"	11.5

 Autocad DXF Specifications File
(Requires CAD software such as AutoCAD)

 Adobe PDF Specifications File



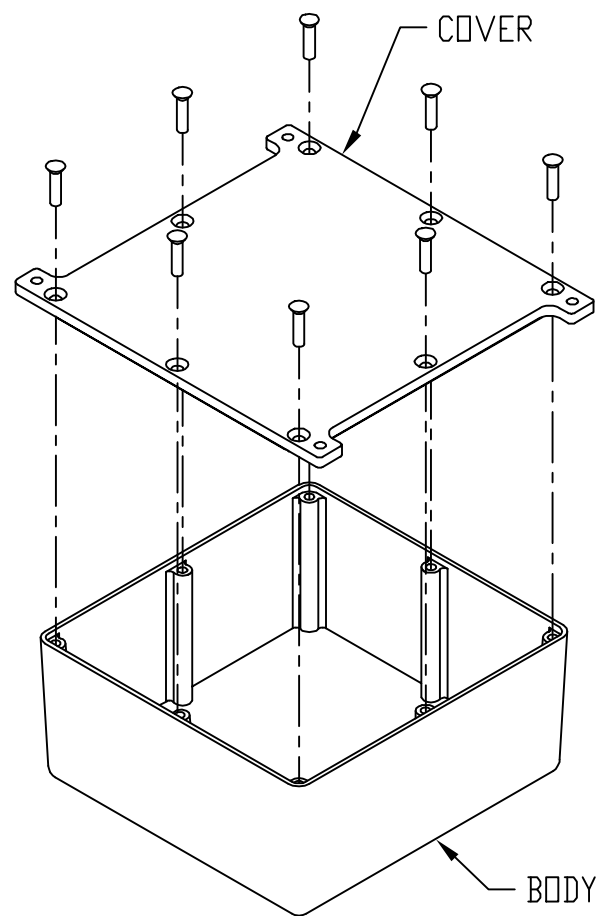
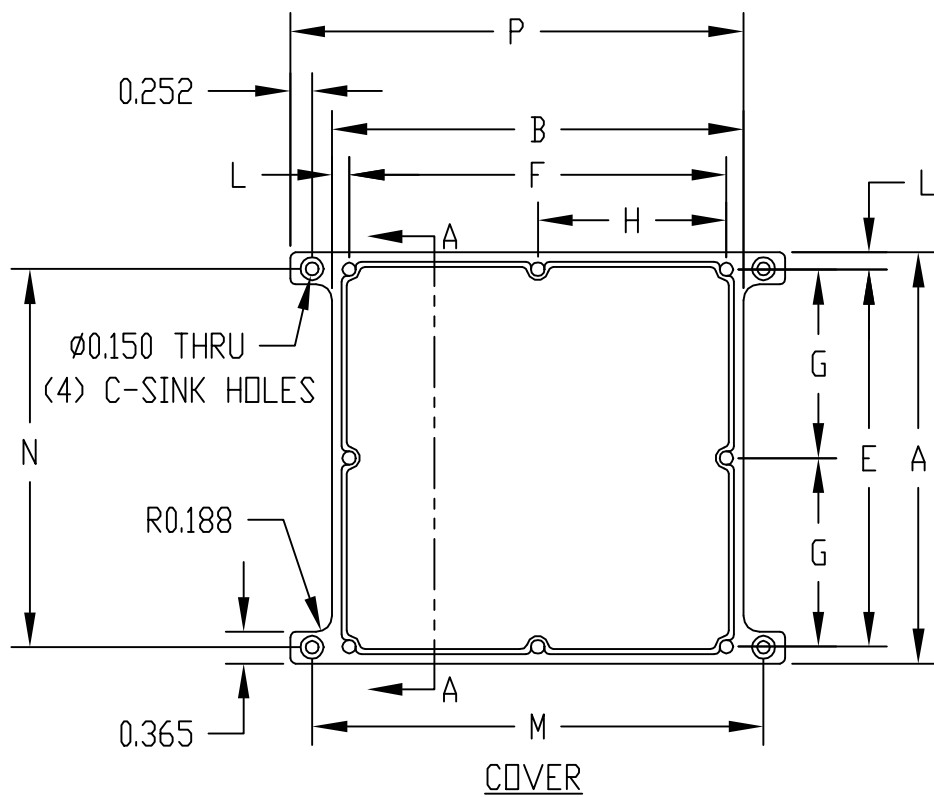
[Download PDF Viewer](#)

[Home](#) | [Company Info](#) | [Online Catalog](#) | [Check Stock](#) | [Distributor/Price](#)

[Reps](#) | [New](#) | [Search](#) | [Contact](#) | [Privacy Policy](#)

BUD INDUSTRIES INC.
P.O. Box 998
Willoughby, Ohio 44094
Phone: 440-946-3200 Fax: 440-951-4015
E-Mail: saleseast@budind.com

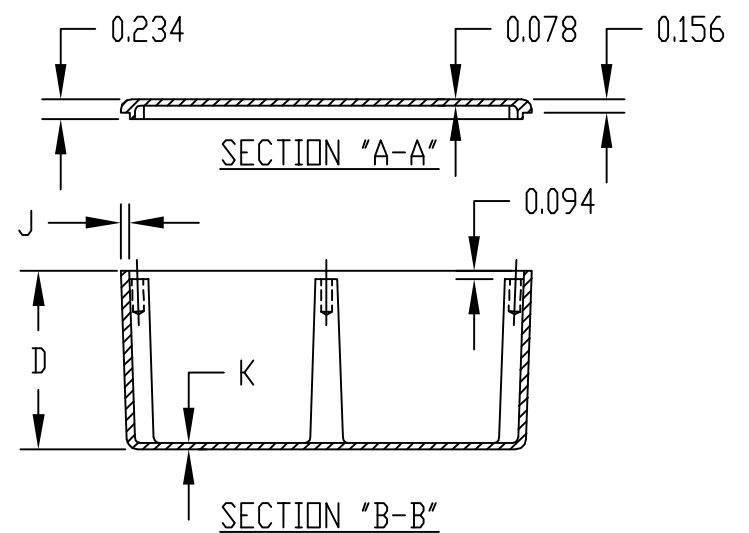
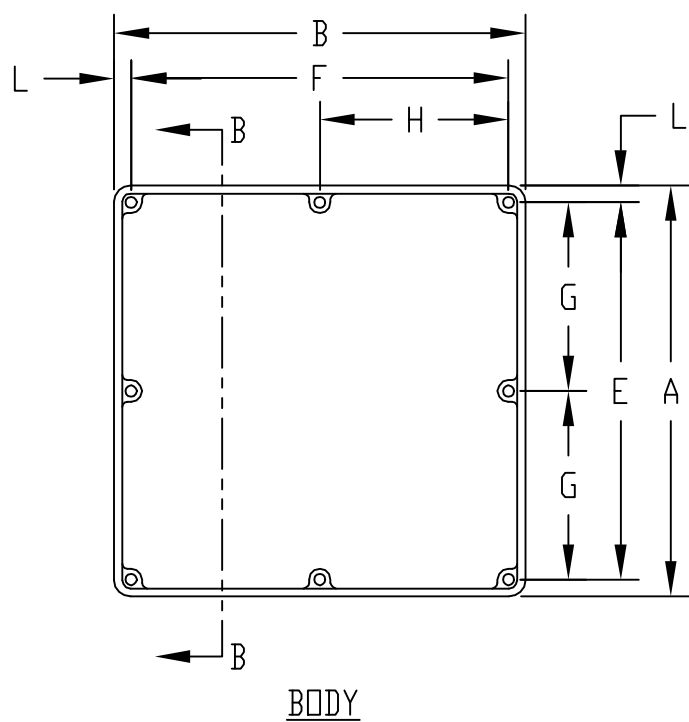
PART NAME	ECONOBOXES	PART No.	CU-5470 TO CU-5479 & CU-5470-B TO CU-5479-B	REV. DATE	9-21-04
-----------	------------	----------	---	-----------	---------



MATERIAL:
ALUMINUM ALLOY #ADC-10

FINISH:
NATURAL (NO SUFFIX)
SMOOTH BLACK (SUFFIX -B)

ALL INTERNAL FILLETS 0.062 RADIUS
ALL INTERNAL ROUNDS 0.125 RADIUS
ALL EXTERNAL ROUNDS 0.125 RADIUS
ALL BOXES ASSEMBLED WITH #6-32 FLAT HD. SCREWS



* ASSEMBLED HEIGHT

PART NO.	PART NO.	A	B	* C	D	E	F	G	H	J	K	L	M	N	P
CU-5470	CU-5470-B	2.000	2.000	1.250	1.094	1.625	1.625	---	---	0.065	0.065	0.188	1.625	2.462	2.486
CU-5471	CU-5471-B	4.330	3.250	1.750	1.594	3.955	2.875	---	---	0.094	0.078	0.188	3.725	3.964	3.740
CU-5472	CU-5472-B	4.750	3.150	2.330	2.174	4.375	2.775	---	---	0.094	0.078	0.188	3.625	4.382	3.643
CU-5473	CU-5473-B	4.688	3.688	1.340	1.184	4.313	3.313	---	---	0.094	0.078	0.188	4.153	4.315	4.173
CU-5474	CU-5474-B	4.750	4.750	2.330	2.174	4.375	4.375	---	---	0.094	0.078	0.188	5.214	4.375	5.236
CU-5475	CU-5475-B	4.750	4.750	3.750	3.594	4.375	4.375	---	---	0.094	0.078	0.188	4.386	5.217	5.235
CU-5476	CU-5476-B	6.000	3.250	2.000	1.844	5.610	2.860	2.805	---	0.094	0.078	0.195	3.724	5.604	3.489
CU-5477	CU-5477-B	7.390	4.703	1.500	1.344	7.000	4.313	3.500	---	0.094	0.078	0.195	4.120	7.017	5.168
CU-5478	CU-5478-B	7.500	7.500	2.620	2.464	7.110	7.110	3.555	3.555	0.094	0.078	0.195	7.125	7.972	7.981
CU-5479	CU-5479-B	4.375	2.375	2.136	1.980	4.000	2.000	---	---	0.065	0.078	0.188	2.387	3.985	2.845